

### FEATURED MODEL

512749 1-1/2 Bowl, 10" & 8" bowl depths

### FEATURES

- Required outside cabinet: 33"
- Please make certain there is adequate countertop width to accommodate the substantial sink width (20")
- 18 gauge, 304 series stainless steel
- 18/10 chrome/nickel content
- Handcrafted from a single panel of stainless steel
- Zero radius corners
- Elegant and functional drain grooves
- Satin Polished Finish
- Sound deadening pads
- Rear drain placement

### OPTIONAL ACCESSORIES

Stainless Steel Sink Grid Large: 221015  
 Stainless Steel Sink Grid Small: 221022  
 Colander: 4218772

### CODE/STANDARDS COMPLIANCE

ASME 112.19.3-00  
 IAPMO/UPC listed

### WARRANTY

Blanco America's STEELART™ sinks feature a LIMITED LIFETIME WARRANTY to be free of all manufacturing defects under normal use. See our complete warranty for details.

While Blanco America endeavors to provide accurate information, all dimensions are nominal, cannot be guaranteed, and are subject to change or cancellation. Blanco America assumes no responsibility for use of superseded or voided specifications.

### JOB INFORMATION

Job Name: \_\_\_\_\_

Contact: \_\_\_\_\_

Date Specified: \_\_\_\_\_

Specifier: \_\_\_\_\_

Contractor: \_\_\_\_\_

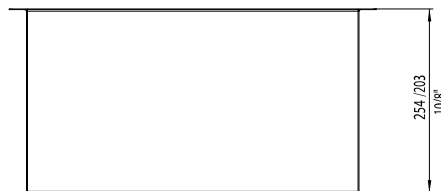
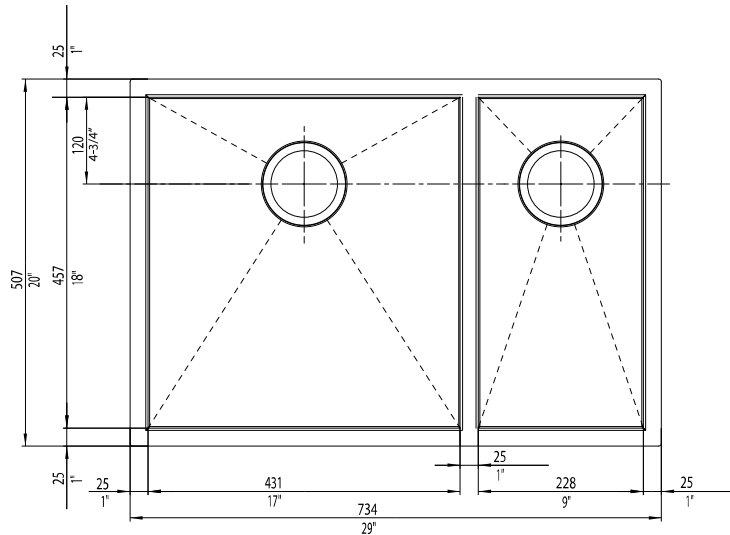


### NOMINAL DIMENSIONS

Model 512749 shown

OVERALL	CUT OUT SIZE	BOWL DEPTHS		DRAIN
		LEFT	RIGHT	
29" x 20"	Template provided with approximate 1/8" reveal	10"	8"	3-1/2"

DXF cutout templates available on our website.



### BLANCO AMERICA

800.451.5782

www.blancoamerica.com

© 2013 BLANCO AMERICA

7/13

SPEC-003